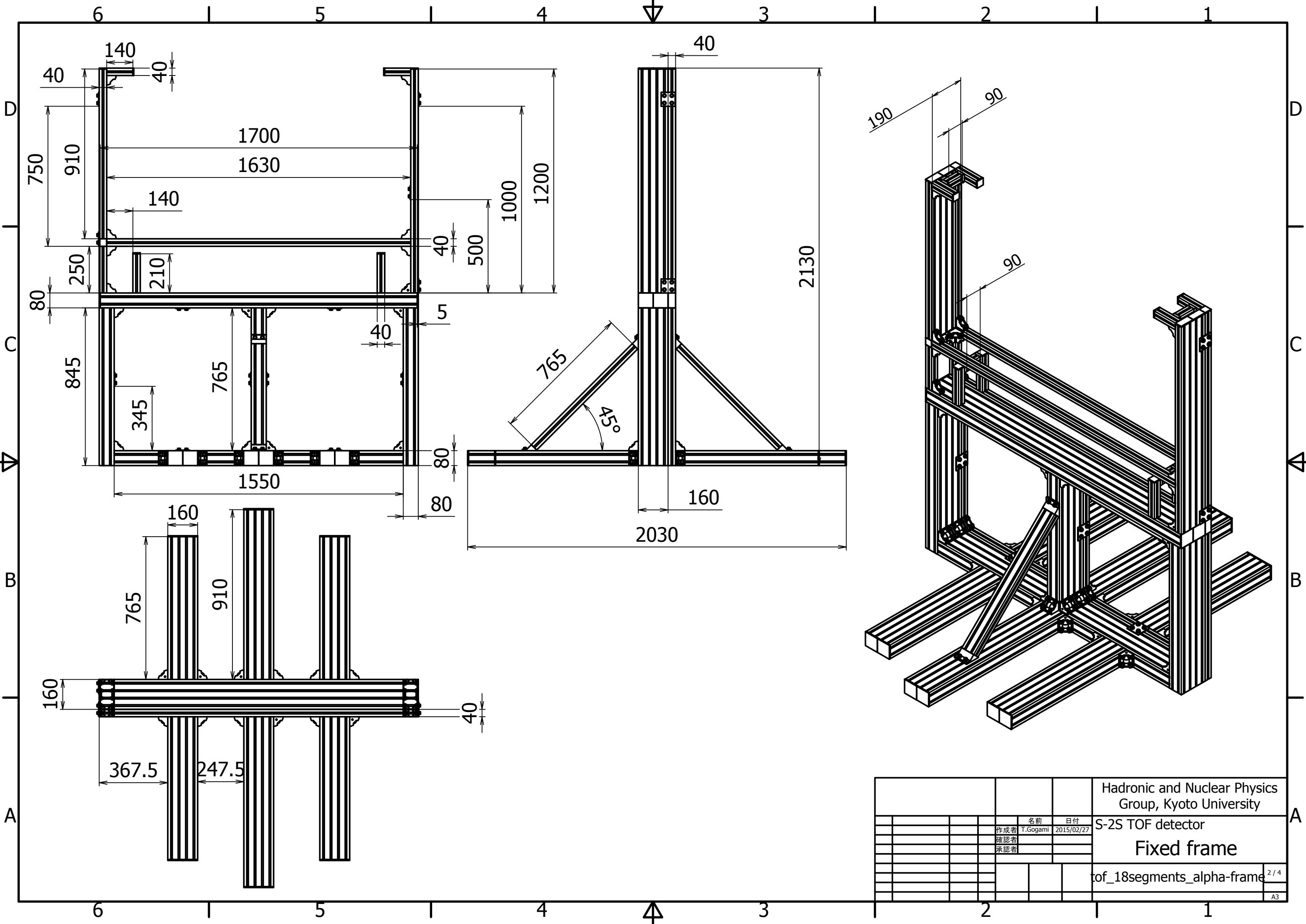
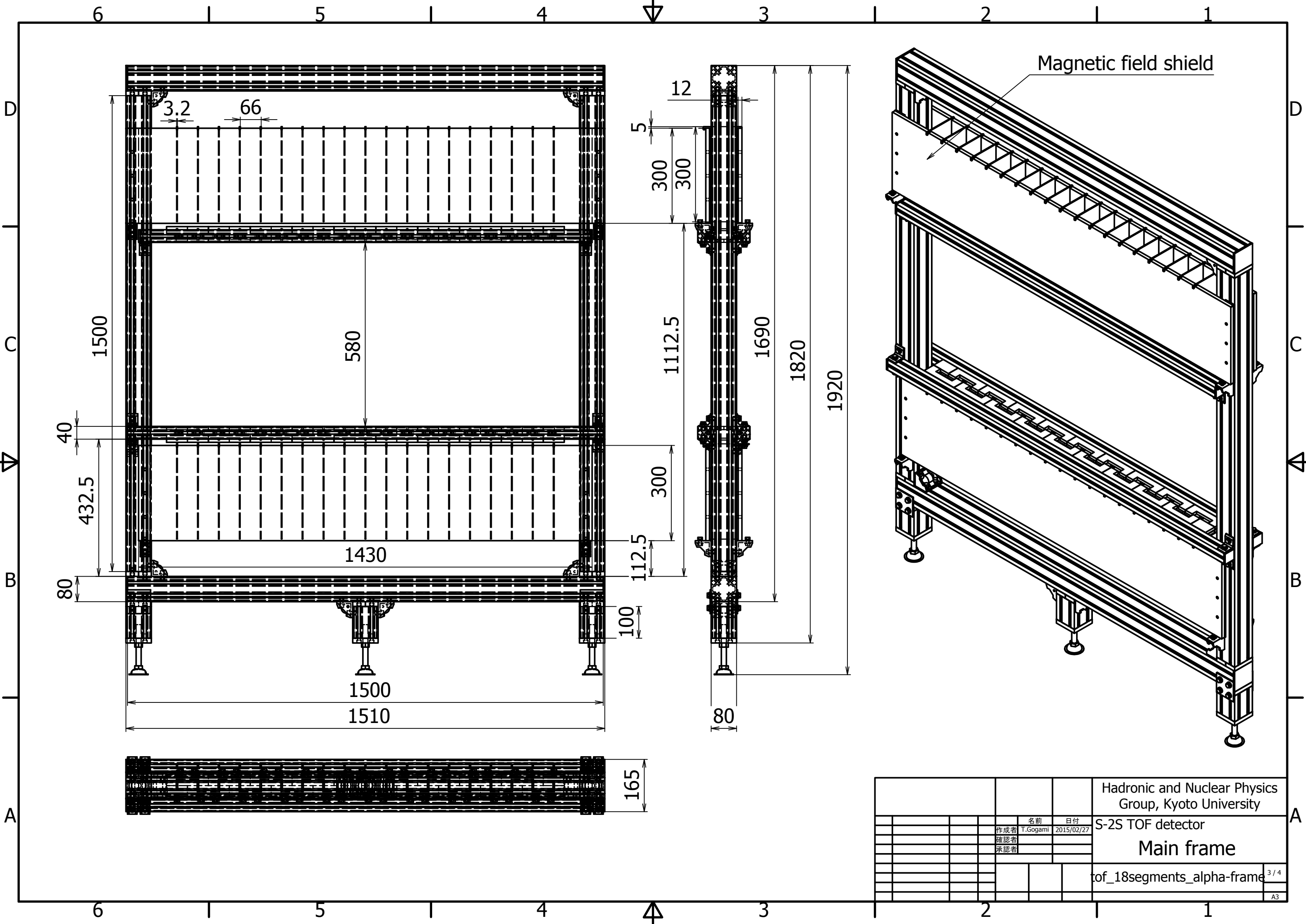
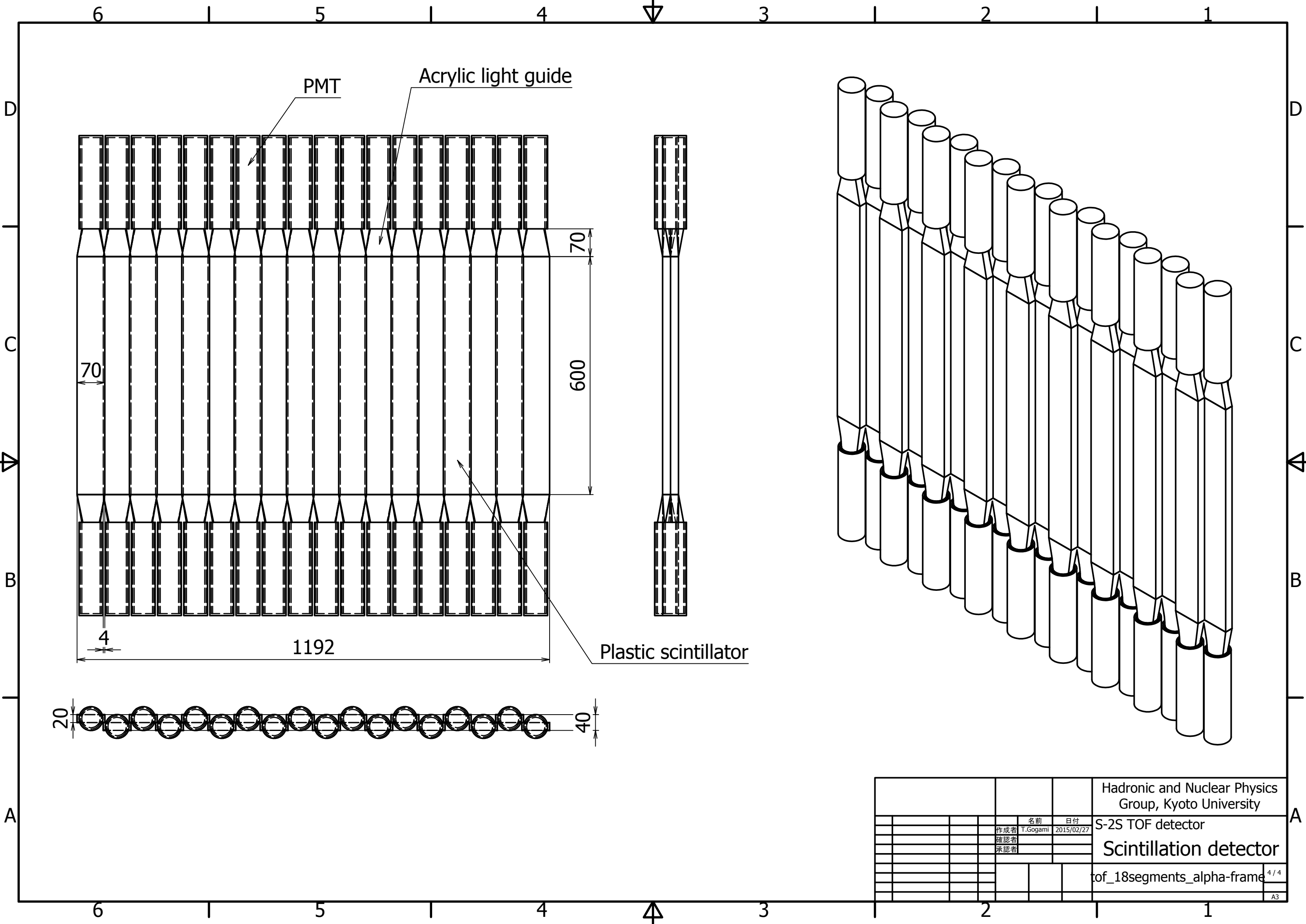


			Hadronic and Nuclear Physics Group, Kyoto University	
			S-2S TOF detector	
			Whole design	
			tof_18segments_alpha-frame	
			1/4	
			A3	



		Hadronic and Nuclear Physics Group, Kyoto University	
		S-2S TOF detector	
		Fixed frame	
		tof_18segments_alpha-frame	
		2/4	
		A3	





			Hadronic and Nuclear Physics Group, Kyoto University	
			S-2S TOF detector	
			Scintillation detector	
			tof_18segments_alpha-frame ^{4/4}	
			A3	