

S-2S meeting

京都大学 後神 利志

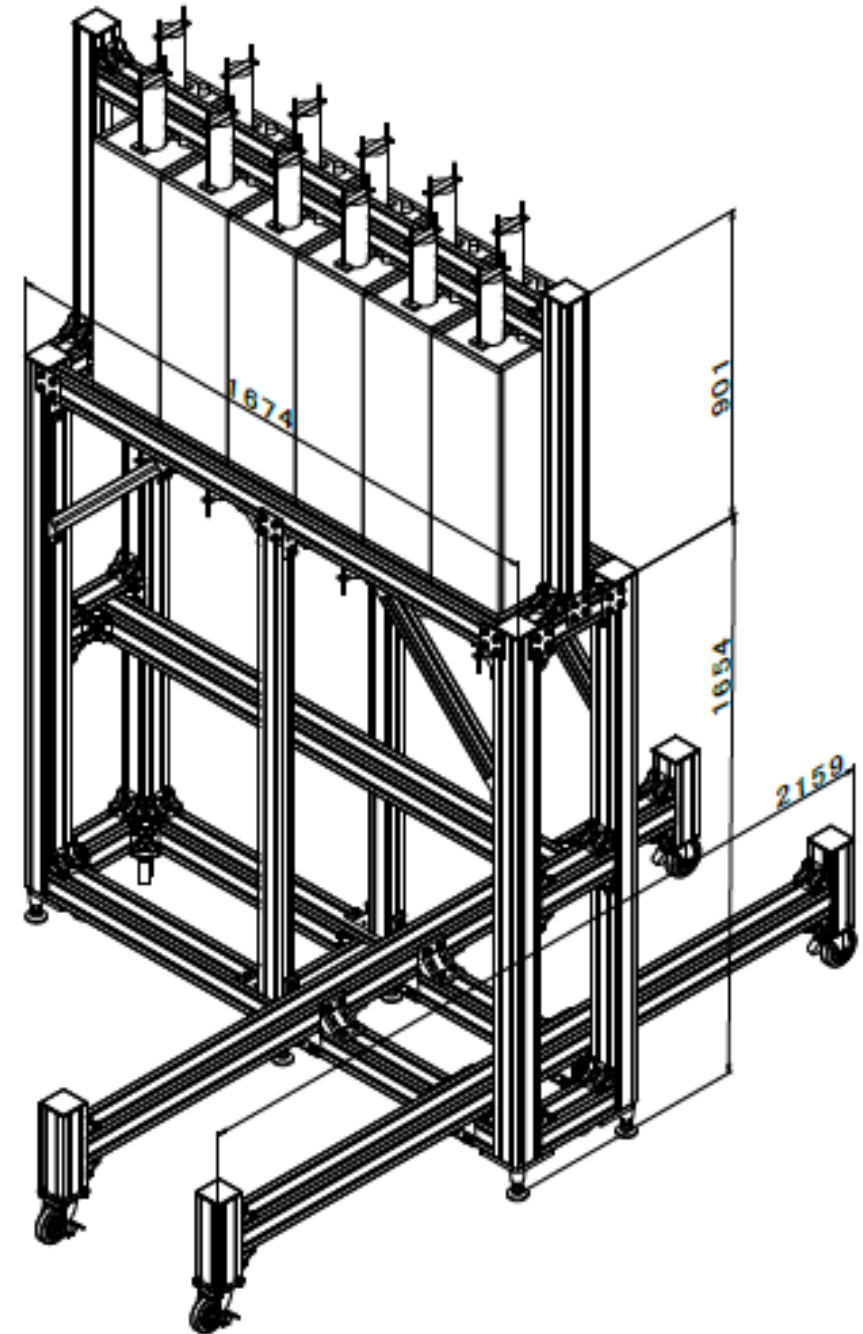
2020/8/5

Contents

- WC
- TOF

Water Cherenkov Detector

1. R&D was done
2. Mass production is needed @IQBRC
 - Some parts are in Kyoto
 - will send J-PARC (Aug 2020)
3. Frame
 - Design was done
 - Materials were partially obtained (2019) @Kyoto
 - Rest of parts will be purchased (Aug 2020)
 - Test assembly (Sep 2020)
 - Delivery to J-PARC (IQBRC?) (this year)



TOF counters

- $\sigma = 90$ ps
- Gluing scintillator and PMT @ J-PARC
 - Glue is gone, and now I am looking for it
 - We have a LED UV generator
- Frame
 - Test assembly @Kyoto (Aug)
 - Delivery to J-PARC (IQBRC?) (this year)

