

S-2S memo

WC test @Rm.319

Toshiyuki Gogami

24Apr2015

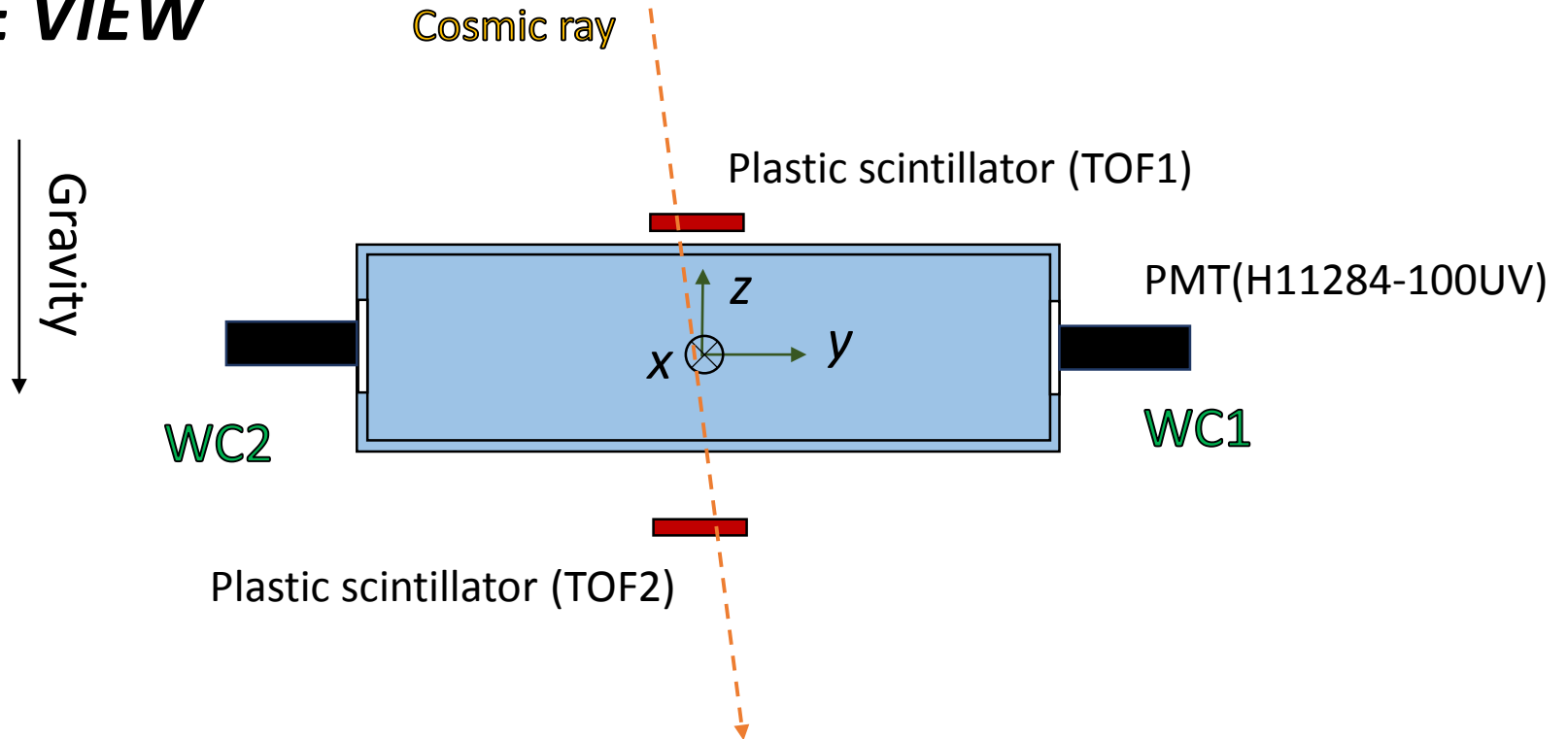
Contents

WC test with cosmic ray at Rm.319

- Experimental setup
- HV setting
- Electric circuit
- ELOG

Experimental setup

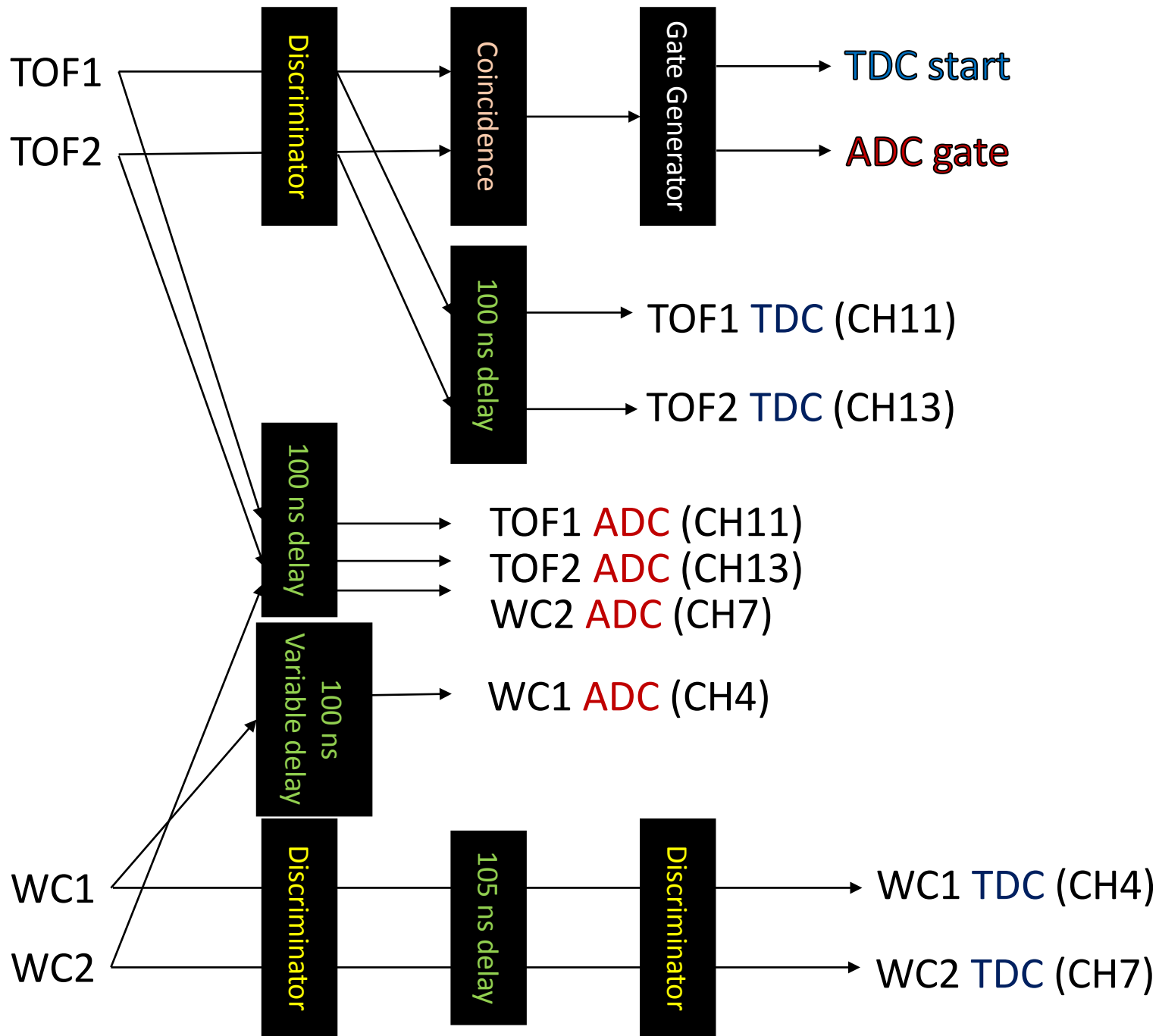
SIDE VIEW



Outer size: $730^h \times 230^w \times 180^t$

HV setting

| HV Channel | Name | PMT | ID | HV setting [V] |
|------------|------|--------------|--------|----------------|
| 1 | TOF1 | H7195 | RD7241 | 2400 |
| 2 | TOF2 | H7195 | | 2400 |
| 3 | WC1 | H11284-100UV | ZK6922 | 2000 |
| 4 | WC2 | H11284-100UV | ZK6920 | 2000 |

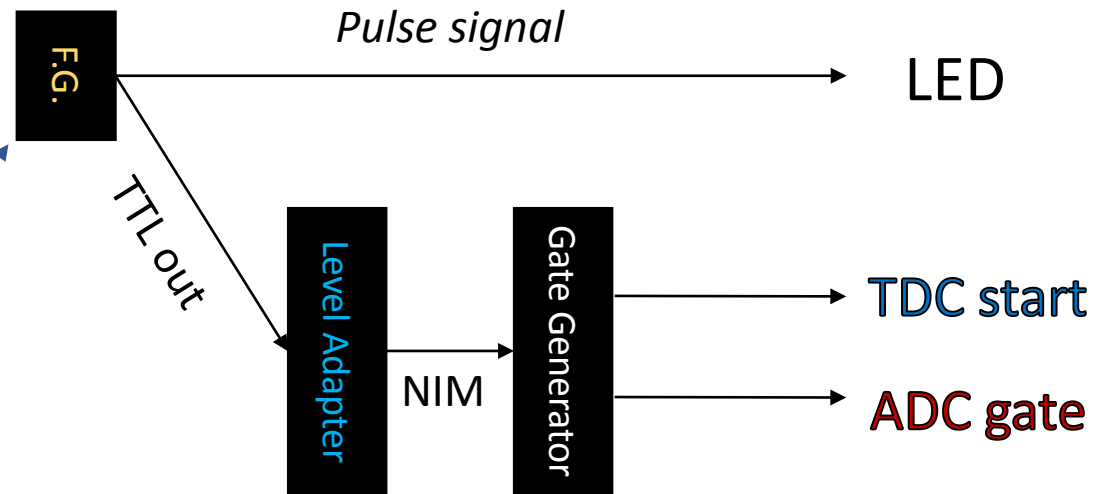


Used ADC and TDC modules (Camac)

ADC: 豊伸 C009 (16 channel)

TDC: 豊伸 C021 (16 channel)

Trigger for LED (calibration) data



Single Channel Arbitrary/Function Generator (F.G.)

Tektronix AFG3101

Used setting for the pulse to LED:

Run mode = Continuous, Function = Pulse, Period=50 μ s,
Delay=0 ns, High=4.9 V, Low=0.0 V, Width= 10 ns, Leading = 5 ns,
Trailing = 5 ns

ELOG

<http://172.16.1.169:8080/wc-test-2015/>